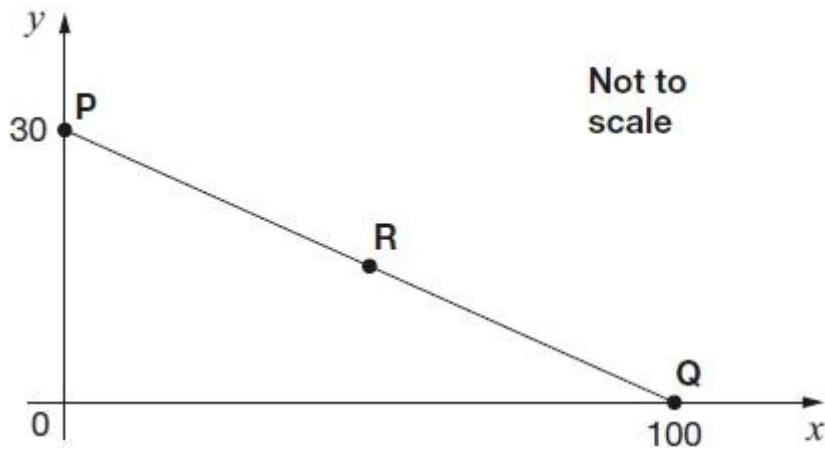


Q1.

In this diagram **R** is an equal distance from **P** and **Q**.

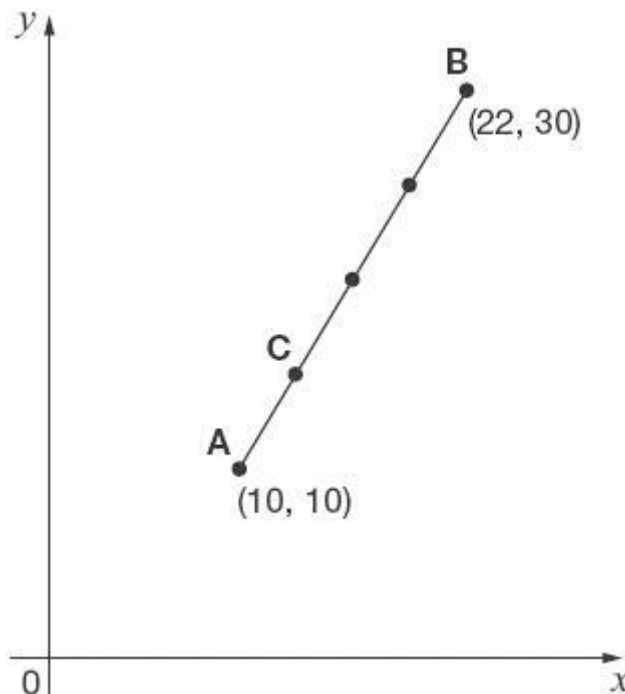


What are the coordinates of **R**?

R =

1 mark
Q2.

A and **B** are joined by a straight line on coordinate axes.



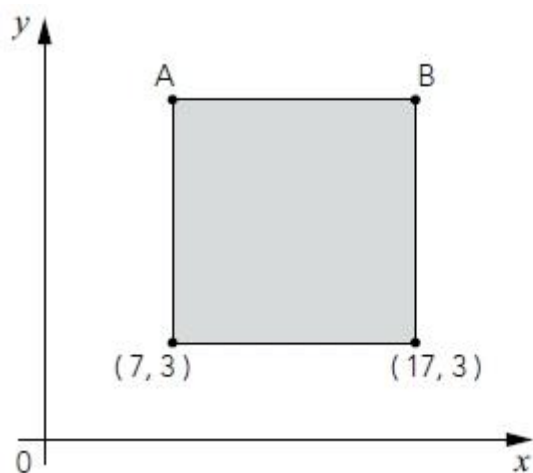
The dots on the line are equally spaced.

What are the coordinates of **C**?

C is

Q3.

The shaded shape is a **square**.



Not drawn
accurately

What are the coordinates of A and B?

A is

1 mark

B is

1 mark

Q4.

The vertices of a quadrilateral have these coordinates.

(1, 5)

(5, 4)

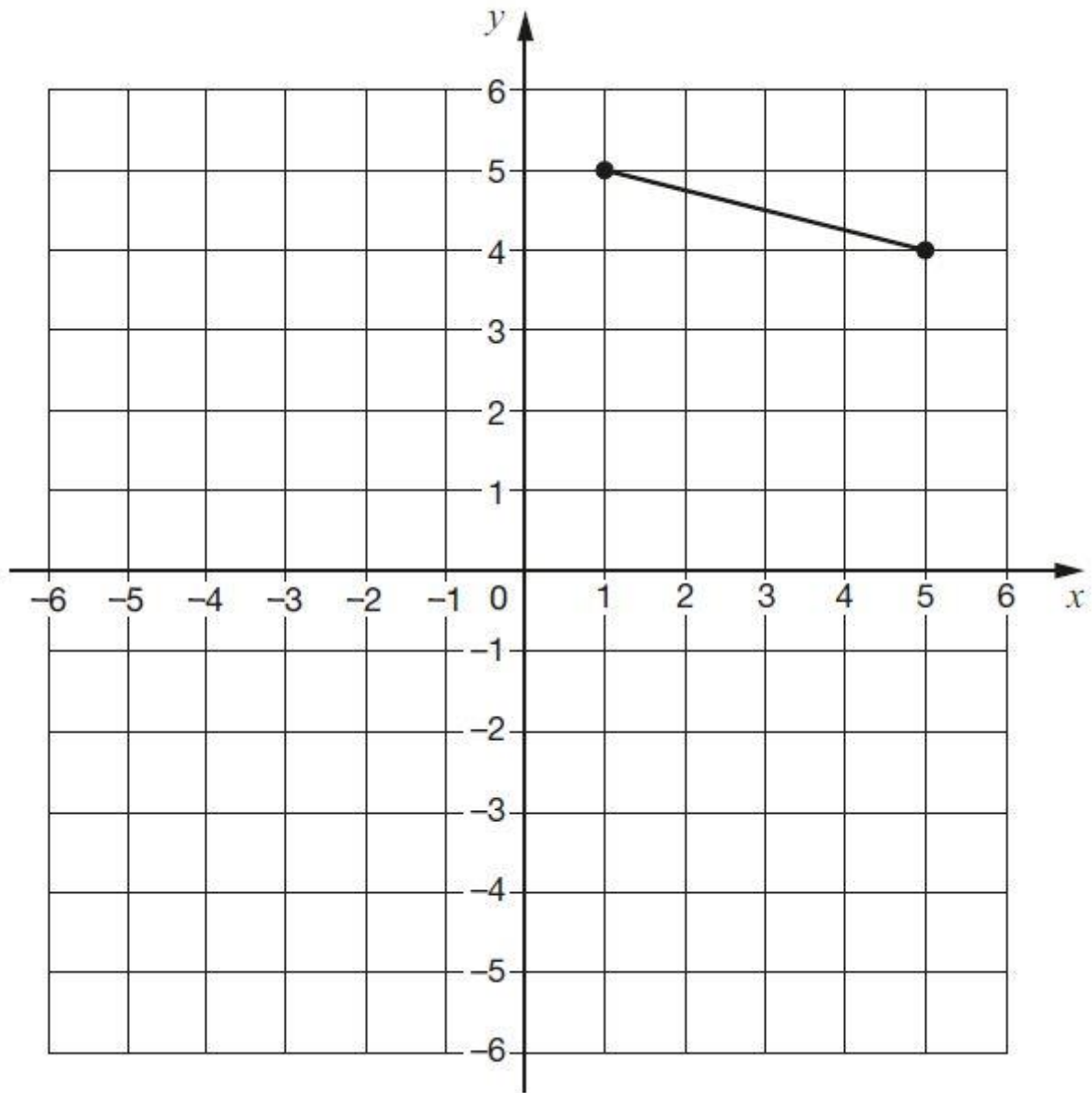
(1, -3)

(-3, 4)

One side of the quadrilateral has been drawn on the grid.

Complete the quadrilateral.

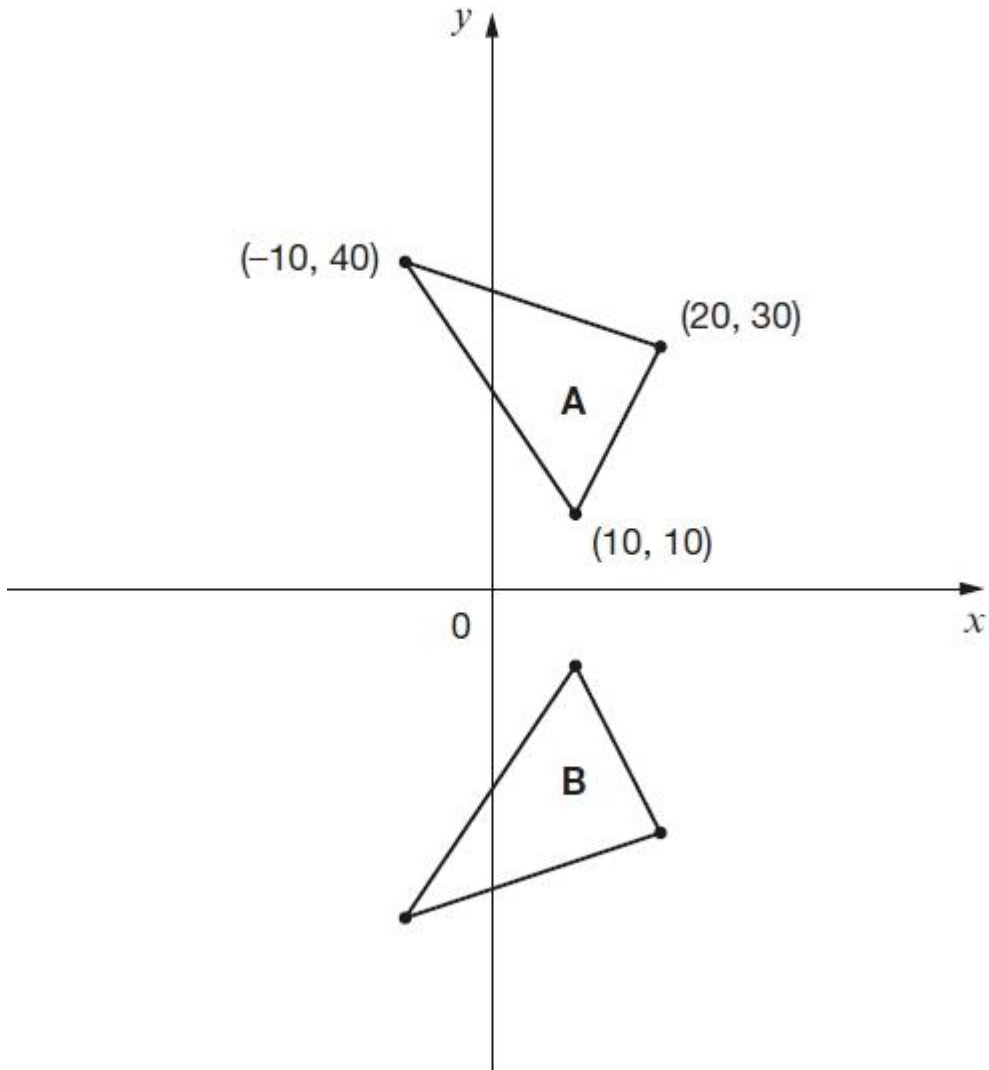
Use a ruler.



1 mark

Q5.

Here are two triangles drawn on coordinate axes.



Triangle B is a reflection of triangle A in the x -axis.

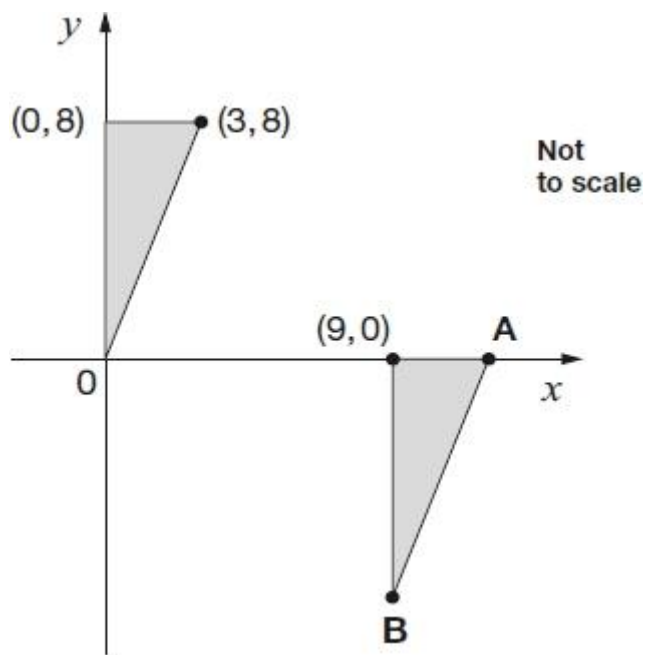
Two of the new vertices of triangle B are (10, -10) and (20, -30).

What are the coordinates of the **third** vertex of triangle B?

1 mark

Q6.

Here are two **identical** shaded triangles on coordinate axes.



Write the coordinates of points A and B.

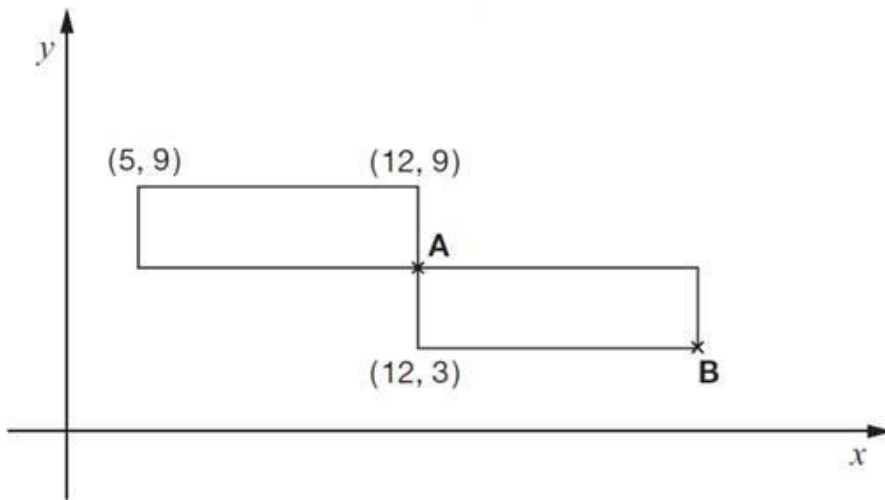
A = (,)

B = (,)

2 marks

Q7.

This diagram shows two **identical** rectangles on coordinate axes.



Write the **coordinates** of point **A** and point **B**.

A is

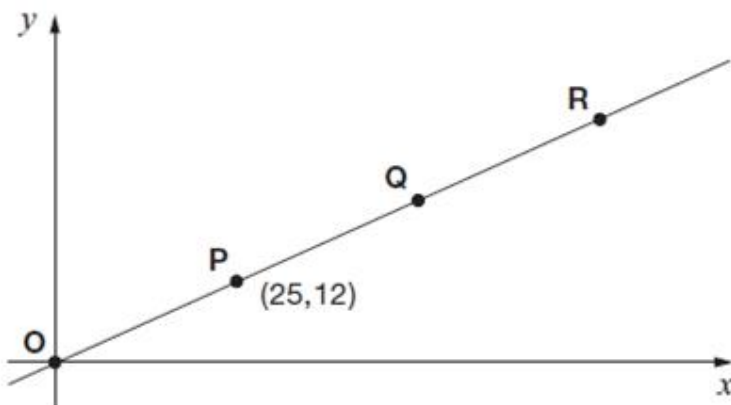
1 mark

B is

1 mark

Q8.

Here is a line on coordinate axes.



Points **O**, **P**, **Q** and **R** are equally spaced.

The coordinates of **P** are (25,12).

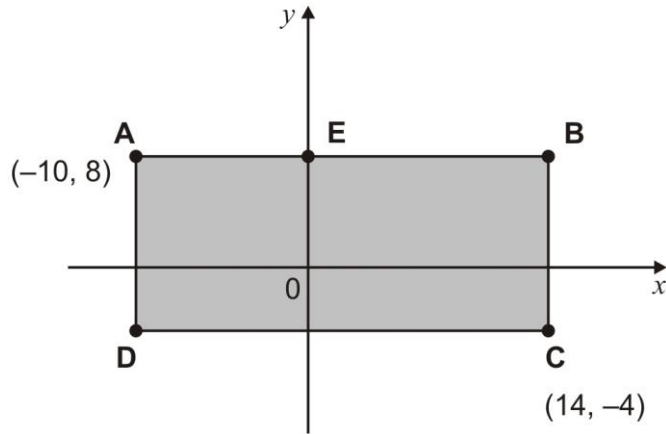
What are the coordinates of **R**?

R =

Q9.

ABCD is a rectangle drawn on coordinate axes.

The sides of the rectangle are parallel to the axes.



What are the coordinates of **D** and **E**?

D is (,)

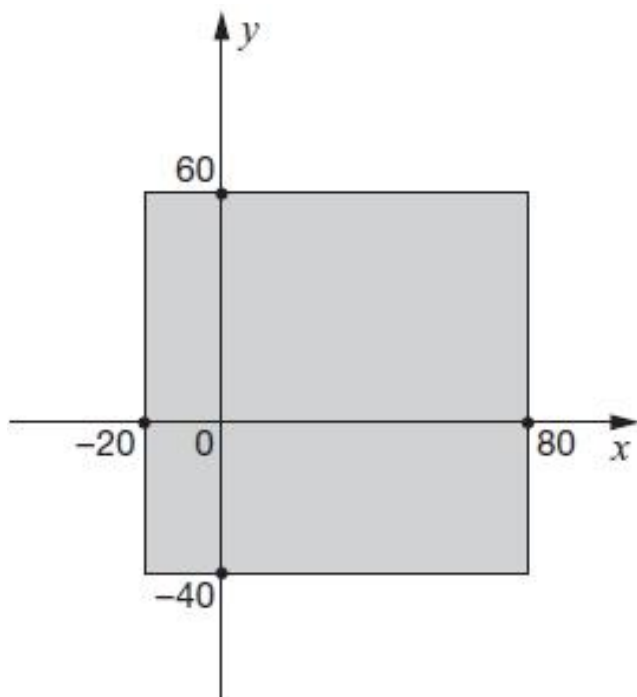
1 mark

E is (,)

1 mark

Q10.

Here is a shaded square on x and y axes.



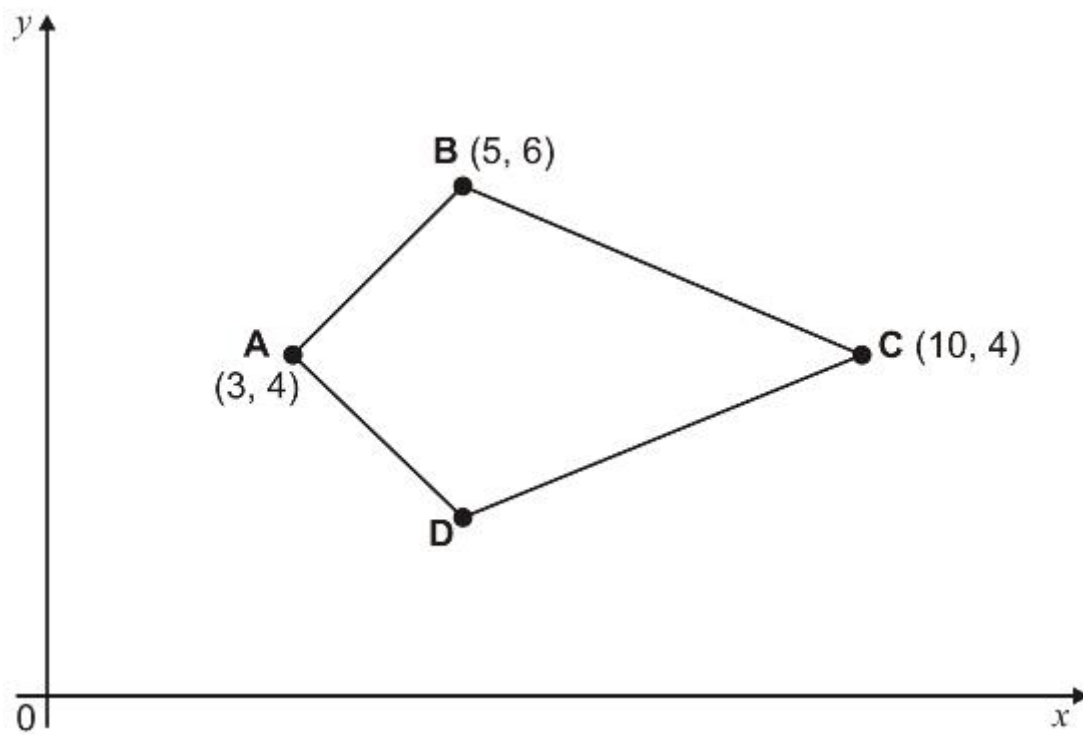
For each of these points, put a tick (✓) to show if it is inside the square or outside the square.

	inside the square	outside the square
(50, 70)	<input type="checkbox"/>	<input type="checkbox"/>
(60, -30)	<input type="checkbox"/>	<input type="checkbox"/>
(-10, 50)	<input type="checkbox"/>	<input type="checkbox"/>
(-30, -30)	<input type="checkbox"/>	<input type="checkbox"/>

2 marks

Q11.

Here is a kite.



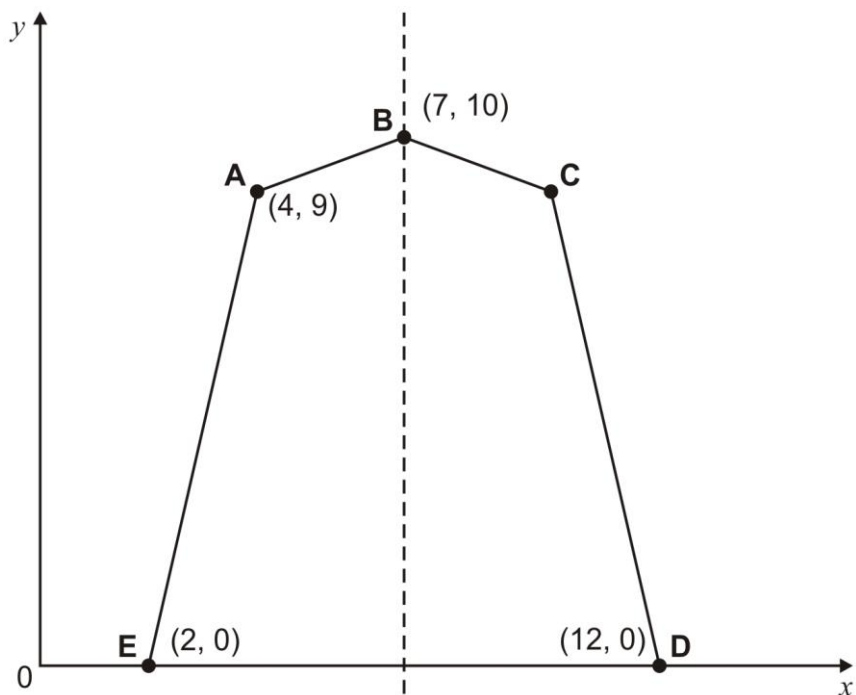
Write the coordinates of point **D**.

1 mark

Q12.

Here is a pentagon drawn on a coordinate grid.

The pentagon is symmetrical.



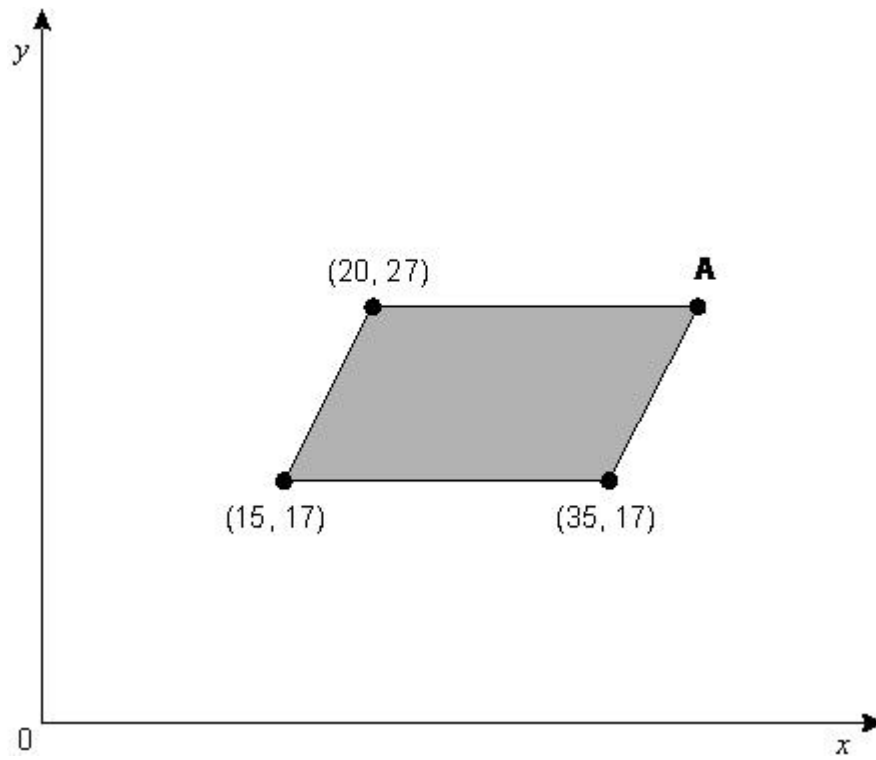
What are the coordinates of point **C**?

(,)

1 mark

Q13.

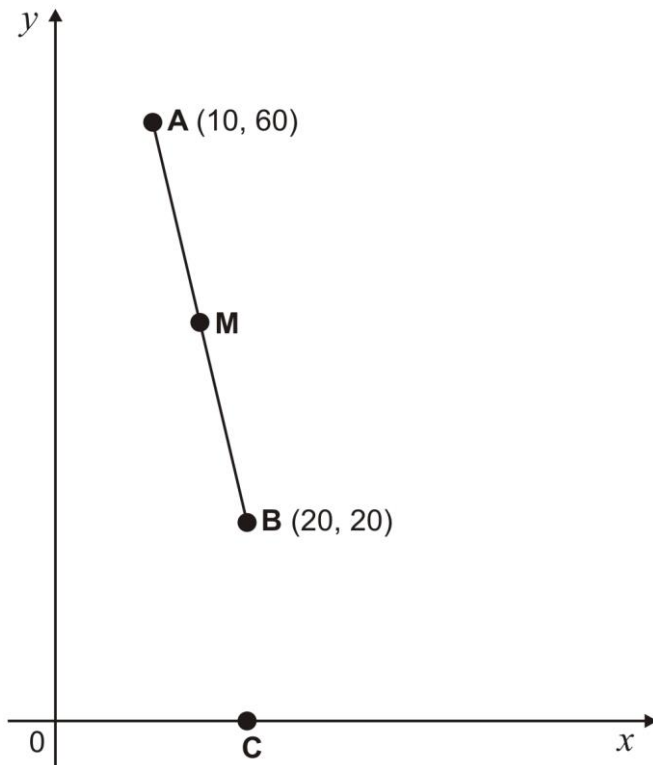
The shaded shape is a parallelogram.



Write in the coordinates of point **A**.

1 mark

Q14.



A is the point **(10, 60)**

B is the point **(20, 20)**

M is the midpoint of line **AB**.

Write the coordinates of **M**.

1 mark

C is on the x -axis, directly **below B**.

Write the coordinates of **C**.

1 mark